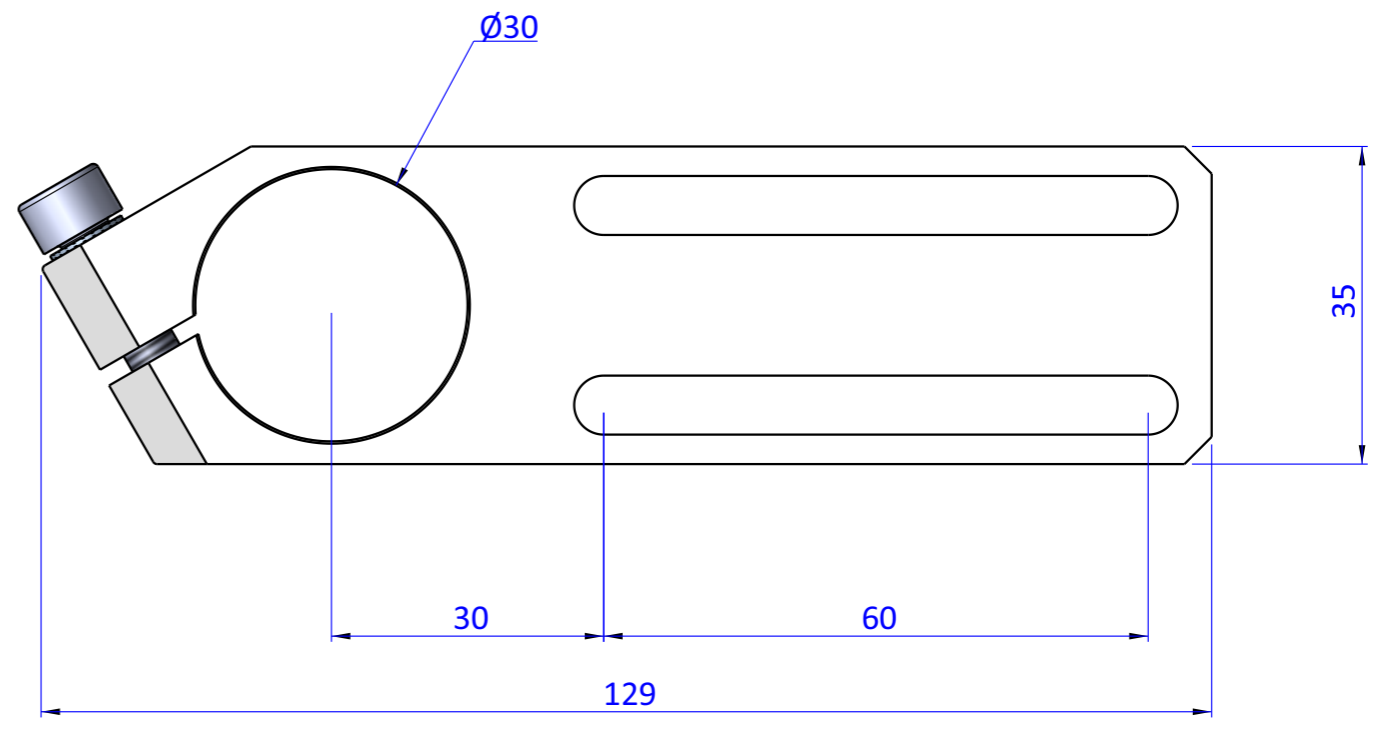
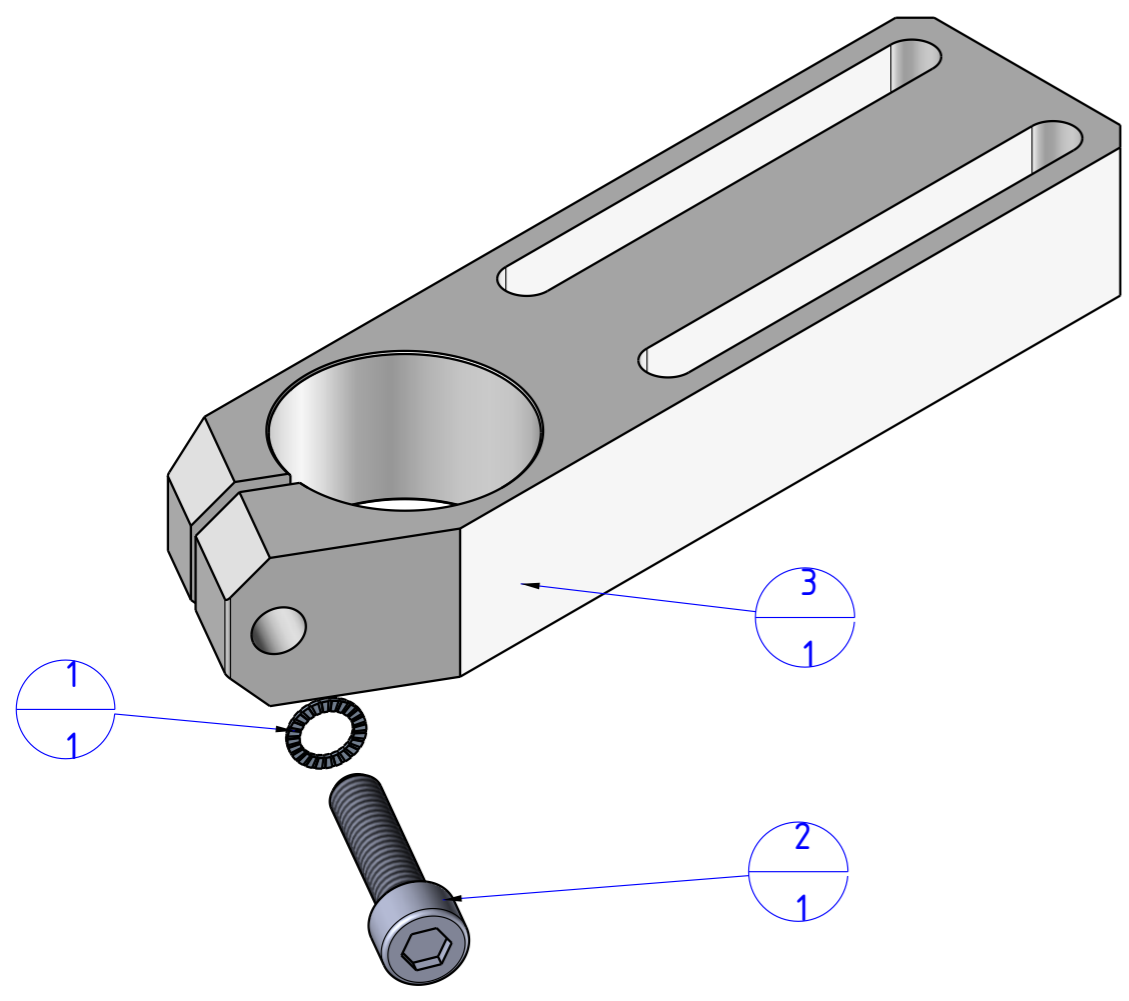


THE PROPERTY OF THE DRAWING IS ESTABLISHED BY LAW. IT IS FORBIDDEN TO PRODUCE OR SHOW IT TO THIRD PART. WITHOUT A WRITTEN AGREEMENT.

Item	Name	Q.ty
1	R.6.SCH	1
2	V.TCE6x25	1
3	WSL.3060.VU	1



Format A3
UNI 936-76

		DESIGNED FROM FPS Automation		REVIEW A
		DATE 09/04/2020	WEIGHT 0,149kg	
GENERAL TOLERANCE UNI - ISO 2768 CLASSE f	DESCRIPTION CA.WSL.3060.VU		CODE CA.WSL.3060.VU	